

KAR

COMPACT FLUORESCENT - GLASS PENDANT

TRANSLUCENT

KAR Application Concept... General and task lighting that offers a unique solution to lower glare without compromising visual comfort. Intended for use in hospitality, corporate and retail environments that require more than the usual aesthetics and performance.

Finish

Metalized finishes or painted.

Material

Diffuser is mouth blown cased opal glass. Body is die cast aluminum.

Mounting

Surface - Accommodates standard 3.5" or 4" octagonal junction box

UL Listed damp location. IBEW union made.



| <u>aperture</u> REQUIRED | <u>lamp</u> REQUIRED | <u>fixture finish</u> REQUIRED | <u>optical glass shade finish</u> REQUIRED | <u>suspension method</u> REQUIRED | <u>decorative element</u> REQUIRED | <u>electrical options</u> OPTIONAL | <u>voltage</u> REQUIRED |
|------------------------------|-------------------------|-----------------------------------|---|--|---------------------------------------|--|---|
| KAR10 10" aperture | 70PLT | GR graphite | HNY honey cased opal | C cord | FLD floating luminous disk | F1 fuse 120 | U CFL 120-277V electronic ballast |
| KAR12 12" aperture | 57PLT | PW pewter | BL cobalt blue cased opal | black standard white cord supplied with white fixtures | FLR floating luminous ring | F2 fuse 277 | 3 347V CFL |
| | 42PLT | TI titanium | OP cased opal (white) | standard length is 120" and can be field modified | | F3 fuse 347 | DL1 Dimming Lutron Compact SE, 120V |
| | 32PLT | CO copper | CMF caramel frit cased opal | A aircraft cable | | EM emergency - | DL2 Dimming Lutron Compact SE, 277V |
| | 26PLT | PC patina copper | BLF cobalt blue frit cased opal | black coiled cord, stainless cable - white cord is supplied with white fixtures | | Consult factory for specific design solutions. | DX1 Dimming Advance Mark X, 120V |
| | 18PLT | BR bronze | OPF cased opal frit (white) | standard length is 120" of pre-coiled cord and yields an effective suspension length of 12" to 48" | | remote battery may be installed a maximum of 48" from fixture. | DX2 Dimming Advance Mark X, 277V |
| | 26QPL | RU iron oxide | | S stem | | | EM emergency |
| | 18QPL | BQ baroque | | stem finish to match fixture | | | Length of cord or stem suspension is maximum of 5 feet if recessed or surface mount is used with emergency option |
| | 13QPL | BK black paint | | standard length is 24" —for other requirements consult factory | | | For surface mounting, consult factory for specific needs. |
| | | WH white paint | | | | | |
| | | AL aluminum paint | | | | | |
| | | | for custom or RAL colors consult factory | | | | |

Omega Lighting 5 Year Limited Warranty
U.L. and C.U.L. listed damp location.
For Wet Location and Wet Location Covered Ceiling, consult factory.
IBEW union made.

Due to the natural aging process of Origins Rust, Patina Copper, and Baroque metalized finishes, variations may exist between fixtures.



CAT NO.: _____
TYPE: _____
PROJECT: _____

OT2-8

8/08

OMEGA LIGHTING: 776 South Green St., Tupelo, MS 38804 Phone 662.842.7212 FAX 662.841.5501

Omega Lighting is a Philips group brand

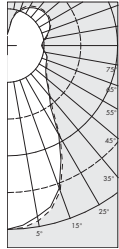
PHILIPS

COMPACT FLUORESCENT - GLASS PENDANT

photometric data

— 0° (parallel)
 - - - 90° (normal)

Additional photometric test files are available at www.originslighting.com



| DEGREES | CANDELA | | FOOT-LAMBERTS |
|---------|---------|--------|---------------|
| | AT 0° | AT 90° | |
| 90 | 110 | 107 | |
| 85 | 114 | 112 | 7468 |
| 75 | 128 | 128 | 2849 |
| 65 | 137 | 134 | 1847 |
| 55 | 150 | 147 | 1491 |
| 45 | 182 | 179 | 1470 |
| 35 | 249 | 237 | |
| 25 | 409 | 397 | |
| 15 | 531 | 522 | |
| 5 | 572 | 564 | |
| 0 | 575 | 575 | |

1032PLT-OP-FLR

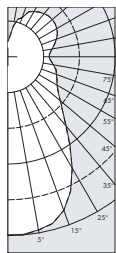
Report Number: 25480
 Lamp: CFT32W
 Total Lumens: 2400
 Fixture Efficiency: 85.2%
 IES File: F25480.IES
 S/MH Ratio: 1.0, 0.9
 Beam Angle: 64.63



| DEGREES | CANDELA | | FOOT-LAMBERTS |
|---------|---------|--------|---------------|
| | AT 0° | AT 90° | |
| 90 | 156 | 160 | |
| 85 | 164 | 169 | 7641 |
| 75 | 187 | 192 | 2929 |
| 65 | 212 | 213 | 2011 |
| 55 | 241 | 241 | 1681 |
| 45 | 308 | 309 | 1745 |
| 35 | 389 | 388 | |
| 25 | 459 | 461 | |
| 15 | 515 | 516 | |
| 5 | 542 | 543 | |
| 0 | 547 | 547 | |

1270PLT-OP-FLD

Report Number: 25560
 Lamp: CF70W
 Total Lumens: 5200
 Fixture Efficiency: 57.3%
 IES File: F25560.IES
 S/MH Ratio: 1.2, 1.2
 Beam Angle: 97.24



| DEGREES | CANDELA | | FOOT-LAMBERTS |
|---------|---------|--------|---------------|
| | AT 0° | AT 90° | |
| 90 | 136 | 133 | |
| 85 | 142 | 143 | 9418 |
| 75 | 164 | 166 | 3672 |
| 65 | 179 | 180 | 2446 |
| 55 | 203 | 204 | 2044 |
| 45 | 257 | 257 | 2093 |
| 35 | 359 | 357 | |
| 25 | 492 | 491 | |
| 15 | 572 | 573 | |
| 5 | 591 | 593 | |
| 0 | 591 | 591 | |

1057PLT-OP-FLR

Report number: 25500
 Lamp: CFT57W
 Total Lumens: 4300
 Fixture Efficiency: 60.9%
 S/MH Ratio: 1.1, 1.1
 IES file: F25500.IES
 Beam Angle: 80.48

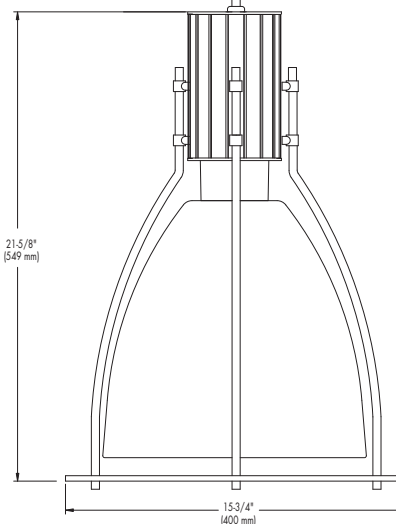
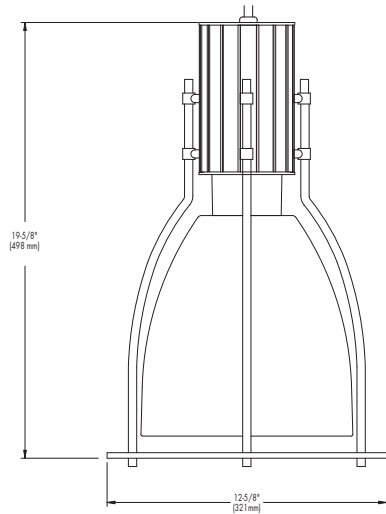


| DEGREES | CANDELA | | FOOT-LAMBERTS |
|---------|---------|--------|---------------|
| | AT 0° | AT 90° | |
| 90 | 148 | 153 | |
| 85 | 154 | 159 | 7183 |
| 75 | 175 | 180 | 2743 |
| 65 | 201 | 202 | 1907 |
| 55 | 231 | 232 | 1614 |
| 45 | 292 | 293 | 1655 |
| 35 | 426 | 430 | |
| 25 | 635 | 642 | |
| 15 | 782 | 788 | |
| 5 | 825 | 832 | |
| 0 | 828 | 828 | |

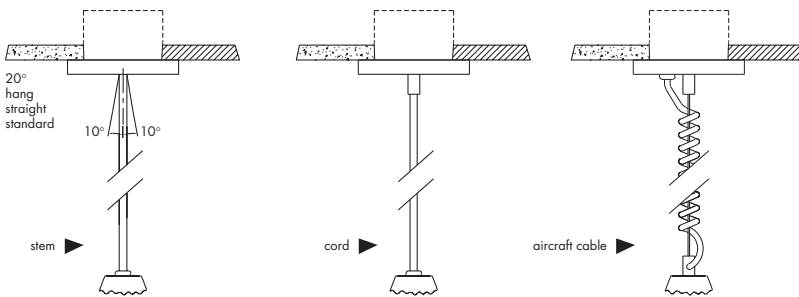
1270PLT-OP-FLR

Report number: 25559
 Lamp: CF70W
 Total Lumens: 5200
 Fixture Efficiency: 59.3%
 S/MH Ratio: 1.0, 1.1
 IES file: F25559.IES
 Beam Angle: 71.40

dimensions



suspension methods



canopy mount dimensions

