

GEM

COMPACT FLUORESCENT - ELEGANT ITALIAN PATTERN GLASS

Suspended Application Concept... Suspended decorative fixture that conceals the high lumen light source above the ceiling. Decorative element is illuminated evenly without shadows or hot spots. Intended for use in hospitality, corporate and retail environments.

Decorative Element

Italian handmade Piastra glass. Each piece is one of a kind. Die cast aluminum retaining ring. Spun .050" aluminum reflector with Alzak finish® Stainless steel aircraft cable suspension factory adjusted for precise optical effect.

Recessed Frame

Precision stamped 16 gauge galvanized steel and die cast AL. Accommodates ceilings up to 1-3/8" thick. Ceiling cutout 9" diameter.

UL Listed

UL Listed Damp Location. IBEW union made.



decorative element

recessed frame

suspended glass REQUIRED	mounting ring finish REQUIRED	reflector finish REQUIRED
GEM clear Italian glass with pattern	NA natural aluminum	CS clear specular
	GR graphite	CSS clear semi-specular
	PW pewter	HZ haze
	TI titanium	FCS faceted clear specular
	CO copper	all origins reflectors are Alzak® finished
	PC patina copper	
	BR bronze	
	RU iron oxide	Omega Lighting 5 Year Limited Warranty U.L. and C.U.L. listed damp location. For Damp Location and Wet Location Covered Ceiling, consult factory. IBEW union made.
	BQ baroque	Due to the natural aging process of Origins Rust, Patina Copper, and Baroque metalized finishes, variations may exist between fixtures.
	BK black (paint)	
	WH white (paint)	
	AL aluminum (paint)	
	supplied with tamper proof fasteners for custom RAL colors consult factory	

aperture REQUIRED	lamp REQUIRED	electrical options OPTIONAL	voltage & dimming REQUIRED
ORT8 8" aperture	2H26QPL 2H18QPL 2H13QPL	F1 fuse 120 F2 fuse 277 F3 fuse 347	U 120-277V CFL electronic ballast 3 347V CFL
	1H26QPL 1H18QPL 1H13QPL	EM emergency dimming is Lutron Compact SE 5% standard. consult factory for other ballast options.	DL1 Dimming Lutron Compact SE, 120V DL2 Dimming Lutron Compact SE, 277V DX1 Dimming Advance Mark X, 120V DX2 Dimming Advance Mark X, 277V EM emergency
	2H42PLT 2H32PLT 2H26PLT 2H18PLT		Length of cord or stem suspension is maximum of 5 feet if recessed or surface mount is used with emergency option For surface mounting, consult factory for specific needs.
	1H42PLT 1H32PLT 1H26PLT 1H18PLT	Socket Type CFM42W/GX24q CFM32W/GX24q CFM26W/GX24q CFM18W/GX24q CFQ26W/G24q CFQ18W/G24q CFQ13W/G24q	



CAT NO.: _____
 TYPE: _____
 PROJECT: _____

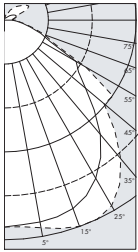
OT1-5
8/08

COMPACT FLUORESCENT - ELEGANT ITALIAN PATTERN GLASS

photometric data

— 0° (parallel)
 - - - 90° (normal)

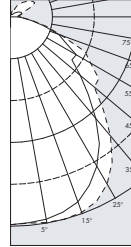
Additional photometric test files are available at www.originslighting.com



DEGREES	CANDELA		FOOT- LAMBERTS
	AT 0°	AT 90°	
90	42	47	
85	66	73	
75	143	157	
65	267	289	
55	482	706	
45	676	831	
35	894	1070	
25	1032	1170	
15	1085	1149	
5	1094	1105	
0	1102	1102	

GEM-ORT82H32PLT-CS

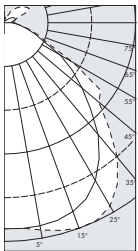
Report number: 25549
 Lamp: CFT32W
 Fixture Efficiency: 76.1%
 S/MH: 1.3, 1.5
 Total Lumens: 4800
 IES file: F25549.IES
 Beam Angle: 111.96



DEGREES	CANDELA		FOOT- LAMBERTS
	AT 0°	AT 90°	
90	40	41	
85	63	69	
75	176	194	
65	312	424	
55	386	555	
45	567	676	
35	798	913	
25	959	1049	
15	1042	1079	
5	1065	1067	
0	1071	1071	

GEM-ORT82H32PLT-CSS

Report number: 25552
 Lamp: CFT32W
 Fixture Efficiency: 69.8%
 S/MH Ratio: 1.2, 1.3
 Total Lumens: 4800
 IES file: F25552.IES
 Beam Angle: 101.56

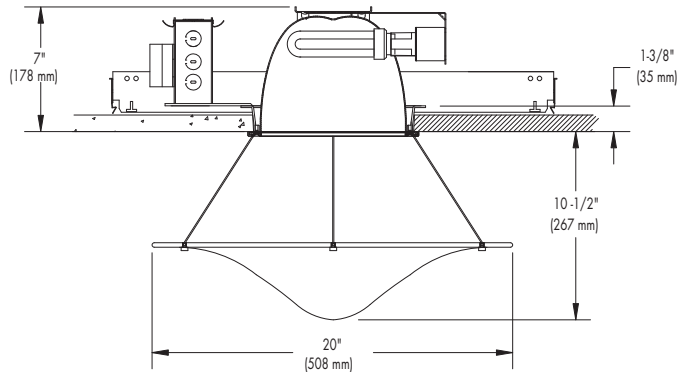
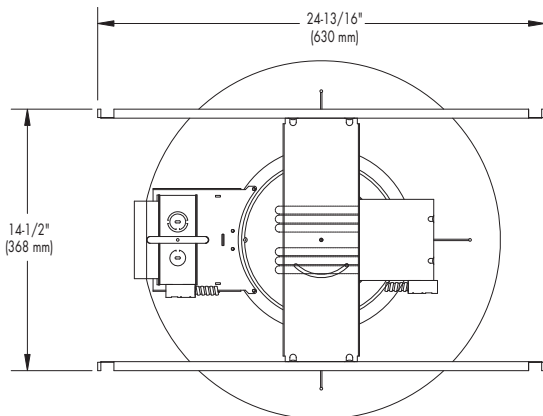


DEGREES	CANDELA		FOOT- LAMBERTS
	AT 0°	AT 90°	
90	46	49	
85	68	73	
75	139	153	
65	252	280	
55	491	695	
45	721	872	
35	976	1163	
25	1145	1287	
15	1207	1268	
5	1218	1216	
0	1215	1215	

GEM-ORT82H32PLT-FCS

Report number: 25555
 Lamp: CFT32W
 Fixture Efficiency: 79.5%
 S/MH: 1.3, 1.4
 Total Lumens: 4800
 IES file: F25555.IES
 Beam Angle: 107.57

dimensions



OMEGA
LIGHTING

OTI-5