

BOL

COMPACT FLUORESCENT - SOFTLY DIFFUSED BOWL WITH METAL EDGING

Suspended Application Concept... Suspended decorative fixture that conceals the high lumen light source above the ceiling. Decorative element is illuminated evenly without shadows or hot spots. Intended for use in hospitality, corporate and retail environments.

Decorative Element

Precision spun aluminum suspends etched virgin white acrylic bowl. Diecast aluminum turnbuckles suspend decorative bowl from diecast aluminum retaining ring. Spun .050 aluminum reflector with Alzak® finish.

Recessed Frame

Precision stamped 16 gauge galvanized steel and die cast AL. Accommodates ceilings up to 1-3/8" thick. Ceiling cutout 9" diameter.

UL Listed

UL Listed Damp Location. IBEW union made.



decorative element

recessed frame

suspended glass
REQUIRED

BOL
hybrid bowl

mounting ring finish
REQUIRED

NA

natural aluminum

GR
graphite

PW
pewter

TI
titanium

CO
copper

PC
patina copper

BR
bronze

RU
iron oxide

BQ
baroque

BK
black (paint)

WH
white (paint)

AL
aluminum (paint)

for custom RAL colors consult factory

all non translucent exterior parts -including decorative turnbuckle, armature suspension and outer ring are finished to match mounting ring.

reflector finish
REQUIRED

CS
clear specular

CSS
clear semi-specular

HZ
haze

FCS
faceted clear specular

reflector finishes are high performance anodized

Omega Lighting 5 Year Limited Warranty U.L. and C.U.L. listed damp location. For Damp Location and Wet Location Covered Ceiling, consult factory. IBEW union made. Due to the natural aging process of Origins Rust, Patina Copper, and Baroque metalized finishes, variations may exist between fixtures.

aperture
REQUIRED

ORT8
8" aperture

lamp
REQUIRED

2H26QPL

2H18QPL

2H13QPL

1H26QPL

1H18QPL

1H13QPL

2H42PLT

2H32PLT

2H26PLT

2H18PLT

1H42PLT

1H32PLT

1H26PLT

1H18PLT

Socket Type
CFM42W/GX24q
CFM32W/GX24q
CFM26W/GX24q
CFM18W/GX24q
CFQ26W/G24q
CFQ18W/G24q
CFQ13W/G24q

electrical options
OPTIONAL

F1
fuse 120

F2
fuse 277

F3
fuse 347

EM
emergency dimming is Lutron Compact SE 5% standard.

consult factory for other ballast options

voltage & dimming
REQUIRED

U
120-277V
CFL electronic ballast

3
347V CFL

DL1
Dimming Lutron Compact SE, 120V

DL2
Dimming Lutron Compact SE, 277V

DX1
Dimming Advance Mark X, 120V

DX2
Dimming Advance Mark X, 277V

EM
emergency Length of cord or stem suspension is maximum of 5 feet if recessed or surface mount is used with emergency option

For surface mounting, consult factory for specific needs.

CAT NO.: _____

TYPE: _____

PROJECT: _____

OT1-4

8/08



OMEGA LIGHTING: 776 South Green St., Tupelo, MS 38804 Phone 662.842.7212 FAX 662.841.5501

Omega Lighting is a Philips group brand

PHILIPS

BOL

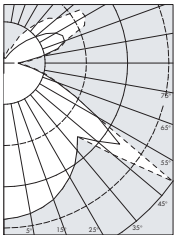


COMPACT FLUORESCENT - SOFTLY DIFFUSED BOWL WITH METAL EDGING

photometric data

— 0° (parallel)
 - - - 90° (normal)

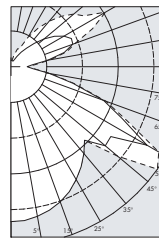
Additional photometric test files are available at www.originslighting.com



DEGREES	CANDELA		FOOT LAMBERTS
	AT 0°	AT 90°	
90	41	45	
85	53	61	384
75	119	126	462
65	228	227	609
55	410	598	1071
45	302	302	546
35	359	357	
25	402	402	
15	433	433	
5	449	448	
0	453	453	

BOL-ORT82H32PLT-CS

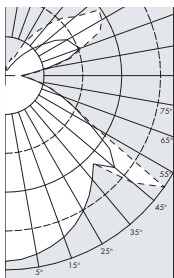
Report number: 25550
 Lamp: CFT32W
 Fixture Efficiency: 52.2%
 S/MH: 1.2, 1.2
 Total Lumens: 4800
 IES file: F25550.IES
 Beam Angle: 130.19



DEGREES	CANDELA		FOOT LAMBERTS
	AT 0°	AT 90°	
90	38	37	
85	51	54	353
75	151	155	577
65	289	302	791
55	287	421	752
45	245	245	443
35	288	287	
25	325	324	
15	350	348	
5	364	361	
0	365	365	

BOL-ORT82H32PLT-CSS

Report number: 25551
 Lamp: CFT32W
 Fixture Efficiency: 47.1%
 S/MH Ratio: 1.2, 1.2
 Total Lumens: 4800
 IES file: F25551.IES
 Beam Angle: 146.44

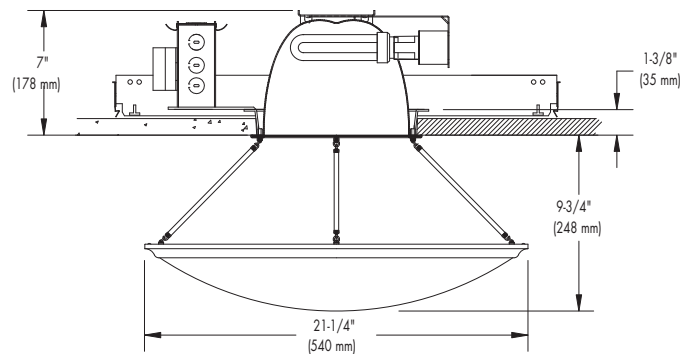
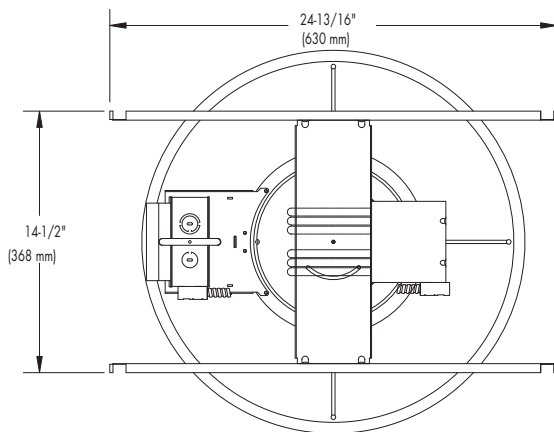


DEGREES	CANDELA		FOOT LAMBERTS
	AT 0°	AT 90°	
90	41	46	
85	55	59	384
75	115	118	439
65	198	200	533
55	326	496	873
45	319	316	574
35	374	373	
25	421	419	
15	452	450	
5	471	467	
0	474	474	

BOL-ORT82H32PLT-FCS

Report number: 25556
 Lamp: CFT32W
 Fixture Efficiency: 51.7%
 S/MH: 1.2, 1.2
 Total Lumens: 4800
 IES file: F25556.IES
 Beam Angle: 122.01

dimensions



OMEGA
 LIGHTING

OT1-4

776 SOUTH GREEN ST., TUPELO, MS 38804 · PHONE 662.842.7212 · FAX 662.841.5501 · WWW.OMEGALIGHTING.COM
 CANADIAN DIVISION: 189 BULLOCK DRIVE, MARKHAM, ONTARIO, CANADA L3P 1W4 · PHONE 905.294.9570 · FAX 800.268.0003
 WWW.ORIGINSLIGHTING.COM 8/08