

AER

COMPACT FLUORESCENT - FLOATING LUMINOUS RING

Suspended Application Concept... Suspended decorative fixture that conceals the high lumen light source above the ceiling. Decorative element is illuminated evenly without shadows or hot spots. Intended for use in hospitality, corporate and retail environments.

Decorative Element

Precision formed .25" glass element with machine ground edges. Fine etched on all surfaces. Die cast aluminum retaining ring. Spun .050" aluminum reflector with Alzak finish® Stainless steel aircraft cable suspension factory adjusted for precise optical effect. Etched look achieved with ceramic glaze thus minimizing finger prints.

Recessed Frame

Precision stamped 16 gauge galvanized steel and die cast aluminum. Accommodates ceilings up to 1-3/8" thick. Ceiling cutout 9" diameter.

UL Listed

UL Listed Damp Location. IBEW union made.



decorative element

recessed frame

suspended glass
REQUIRED

AER
floating luminous ring

mounting ring finish
REQUIRED

NA natural aluminum
GR graphite
PW pewter
TI titanium
CO copper
PC patina copper
BR bronze
RU iron oxide
BQ baroque
BK black (paint)
WH white (paint)
AL aluminum (paint)
supplied with tamper proof fasteners
for custom RAL colors consult factory

reflector finish
REQUIRED

CS clear specular
CSS clear semi-specular
HZ haze
FCS faceted clear specular
all origins reflectors are Alzak® finished

Omega Lighting 5 Year Limited Warranty U.L. and C.U.L. listed damp location. For Damp Location and Wet Location Covered Ceiling, consult factory. IBEW union made. Due to the natural aging process of Origins Rust, Patina Copper, and Baroque metalized finishes, variations may exist between fixtures.

aperture
REQUIRED

ORT8
8" aperture

lamp
REQUIRED

2H26QPL
2H18QPL
2H13QPL

1H26QPL
1H18QPL
1H13QPL

2H42PLT
2H32PLT
2H26PLT
2H18PLT

1H42PLT
1H32PLT
1H26PLT
1H18PLT

Socket Type
CFM42W/GX24q
CFM32W/GX24q
CFM26W/GX24q
CFM18W/GX24q
CFQ26W/G24q
CFQ18W/G24q
CFQ13W/G24q

electrical options
OPTIONAL

F1 fuse 120
F2 fuse 277
F3 fuse 347
EM emergency dimming is Lutron Compact SE 5% standard. consult factory for other ballast options.

voltage & dimming
REQUIRED

U 120-277V
CFL electronic ballast
3 347V CFL
DL1 Dimming Lutron Compact SE, 120V
DL2 Dimming Lutron Compact SE, 277V
DX1 Dimming Advance Mark X, 120V
DX2 Dimming Advance Mark X, 277V
EM emergency
Length of cord or stem suspension is maximum of 5 feet if recessed or surface mount is used with emergency option
For surface mounting, consult factory for specific needs.



CAT NO.: _____

TYPE: _____

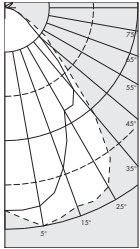
PROJECT: _____

COMPACT FLUORESCENT - FLOATING LUMINOUS RING

photometric data

— 0° (parallel)
 - - - 90° (normal)

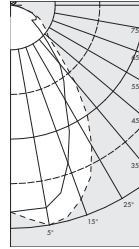
Additional photometric test files are available at www.originslighting.com



| DEGREES | CANDELA | | FOOT- LAMBERTS |
|---------|---------|--------|-------------------|
| | AT 0° | AT 90° | |
| 90 | 16 | 20 | |
| 85 | 26 | 25 | |
| 75 | 86 | 90 | |
| 65 | 162 | 176 | |
| 55 | 281 | 447 | |
| 45 | 685 | 820 | |
| 35 | 1072 | 1660 | |
| 25 | 1325 | 1926 | |
| 15 | 1730 | 1964 | |
| 5 | 1836 | 1912 | |
| 0 | 1833 | 1833 | |

AER-ORT82H32PLTCS

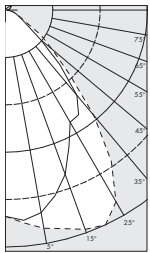
Report number: 25383
 Lamp: CFT32W
 Fixture Efficiency: 77.2%
 S/MH: 1.0, 1.4
 Total Lumens: 4800
 IES file: F25383.IES
 Beam Angle: 84.92



| DEGREES | CANDELA | | FOOT- LAMBERTS |
|---------|---------|--------|-------------------|
| | AT 0° | AT 90° | |
| 90 | 16 | 22 | |
| 85 | 29 | 31 | |
| 75 | 127 | 140 | |
| 65 | 256 | 291 | |
| 55 | 234 | 394 | |
| 45 | 476 | 616 | |
| 35 | 839 | 1207 | |
| 25 | 1256 | 1710 | |
| 15 | 1753 | 1980 | |
| 5 | 1853 | 1937 | |
| 0 | 1867 | 1867 | |

AER-ORT82H32PLTCS5

Report number: 25375
 Lamp: CFT32W
 Fixture Efficiency: 70.6%
 S/MH Ratio: 0.9, 1.2
 Total Lumens: 4800
 IES file: F25375.IES
 Beam Angle: 72.03

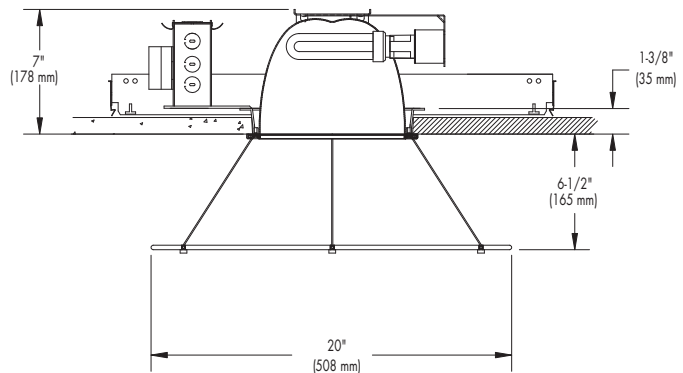
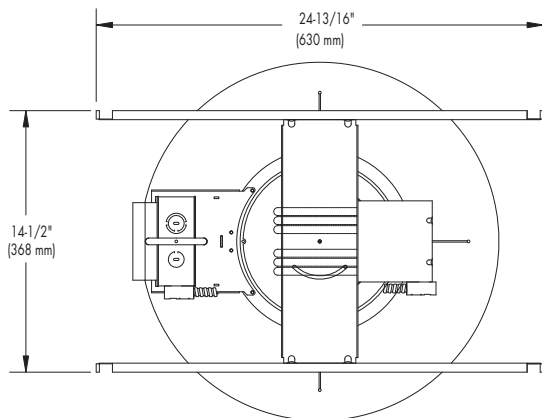


| DEGREES | CANDELA | | FOOT- LAMBERTS |
|---------|---------|--------|-------------------|
| | AT 0° | AT 90° | |
| 90 | 16 | 20 | |
| 85 | 22 | 24 | |
| 75 | 80 | 84 | |
| 65 | 139 | 155 | |
| 55 | 261 | 410 | |
| 45 | 728 | 858 | |
| 35 | 1212 | 1753 | |
| 25 | 1428 | 2248 | |
| 15 | 1822 | 2147 | |
| 5 | 2002 | 2027 | |
| 0 | 1957 | 1957 | |

AER-ORT82H32PLTFC5

Report number: 25381
 Lamp: CFT32W
 Fixture Efficiency: 82.2%
 S/MH: 1.0, 1.4
 Total Lumens: 4800
 IES file: F25381.IES
 Beam Angle: 84.75

dimensions



OMEGA
 LIGHTING

OT1-3

776 SOUTH GREEN ST., TUPELO, MS 38804 · PHONE 662.842.7212 · FAX 662.841.5501 · WWW.OMEGALIGHTING.COM
 CANADIAN DIVISION: 189 BULLOCK DRIVE, MARKHAM, ONTARIO, CANADA L3P 1W4 · PHONE 905.294.9570 · FAX 800.268.0003
WWW.ORIGINSLIGHTING.COM 8/08