

# GLO



CFL - UNIQUE ITALIAN ETCHED GLASS WITH DISTINCTIVE PATTERN

**Suspended Application Concept...** Suspended decorative fixture that conceals the high lumen light source above the ceiling. Decorative element is illuminated evenly without shadows or hot spots. Intended for use in hospitality, corporate and retail environments.

**Decorative Element**

Unique Italian, handmade Piastra glass with fine etch. Die cast aluminum retaining ring. Spun .050" aluminum reflector with Alzak® finish. Stainless steel aircraft cable suspension factory adjusted for precise optical effect.

**Recessed Frame**

Precision stamped 16 gauge galvanized steel and die cast AL. Accommodates ceilings up to 1-3/8" thick. Ceiling cutout 9" diameter.

**UL Listed**

UL Listed Damp Location. IBEW union made.



decorative element

recessed frame

**suspended glass**  
REQUIRED

**GLO**

etched Italian pattern glass

**mounting ring finish**  
REQUIRED

**NA**

natural aluminum

**GR**

graphite

**PW**

pewter

**TI**

titanium

**CO**

copper

**PC**

patina copper

**BR**

bronze

**RU**

iron oxide

**BQ**

baroque

**BK**

black (paint)

**WH**

white (paint)

**AL**

aluminum (paint)

supplied with tamper proof fasteners

for custom RAL colors consult factory

**reflector finish**  
REQUIRED

**CS**

clear specular

**CSS**

clear semi-specular

**HZ**

haze

**FCS**

faceted clear specular

all origins reflectors are

Alzak® finished

Omega Lighting 5 Year Limited Warranty U.L. and C.U.L. listed damp location. For Damp Location and Wet Location Covered Ceiling, consult factory. IBEW union made.

Due to the natural aging process of Origins Rust, Patina Copper, and Baroque metalized finishes, variations may exist between fixtures.

**aperture**  
REQUIRED

**ORT8**

8" aperture

**lamp**  
REQUIRED

**2H26QPL**

2H18QPL

2H13QPL

1H26QPL

1H18QPL

1H13QPL

2H42PLT

2H32PLT

2H26PLT

2H18PLT

1H42PLT

1H32PLT

1H26PLT

1H18PLT

**Socket Type**

CFM42W/GX24q

CFM32W/GX24q

CFM26W/GX24q

CFM18W/GX24q

CFQ26W/G24q

CFQ18W/G24q

CFQ13W/G24q

**electrical options**  
OPTIONAL

**F1**

fuse 120

**F2**

fuse 277

**F3**

fuse 347

**EM**

emergency

dimming is Lutron Compact SE 5% standard.

consult factory for other ballast options.

**voltage & dimming**  
REQUIRED

**U**

120-277V

CFL electronic ballast

**3**

347V CFL

**DL1**

Dimming Lutron Compact SE, 120V

**DL2**

Dimming Lutron Compact SE, 277V

**DX1**

Dimming Advance Mark X, 120V

**DX2**

Dimming Advance Mark X, 277V

**EM**

emergency

Length of cord or stem suspension is maximum of 5 feet if recessed or surface mount is used with emergency option

For surface mounting, consult factory for specific needs.



origins  
by omega

CAT NO.: \_\_\_\_\_

TYPE: \_\_\_\_\_

PROJECT: \_\_\_\_\_

OT1-1

8/08

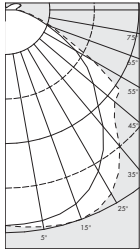


CFL - UNIQUE ITALIAN ETCHED GLASS WITH DISTINCTIVE PATTERN

**photometric data**

— 0° (parallel)  
 - - - 90° (normal)

Additional photometric test files are available at [www.originslighting.com](http://www.originslighting.com)



| DEGREES | CANDELA |        | FOOT-LAMBERTS |
|---------|---------|--------|---------------|
|         | AT 0°   | AT 90° |               |
| 90      | 59      | 68     |               |
| 85      | 86      | 95     |               |
| 75      | 173     | 190    |               |
| 65      | 323     | 355    |               |
| 55      | 528     | 739    |               |
| 45      | 687     | 815    |               |
| 35      | 903     | 1046   |               |
| 25      | 1047    | 1161   |               |
| 15      | 1116    | 1174   |               |
| 5       | 1135    | 1151   |               |
| 0       | 1139    | 1139   |               |

**GLO-ORT82H32PLTCS**

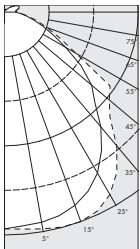
Report number: 25384  
 Lamp: CFT32W  
 Fixture Efficiency: 76.1%  
 S/MH: 1.3, 1.4  
 Total Lumens: 4800  
 IES file: F25384.IES  
 Beam Angle: 112.84



| DEGREES | CANDELA |        | FOOT-LAMBERTS |
|---------|---------|--------|---------------|
|         | AT 0°   | AT 90° |               |
| 90      | 51      | 58     |               |
| 85      | 81      | 88     |               |
| 75      | 202     | 221    |               |
| 65      | 388     | 444    |               |
| 55      | 435     | 622    |               |
| 45      | 582     | 666    |               |
| 35      | 786     | 884    |               |
| 25      | 951     | 1017   |               |
| 15      | 1036    | 1067   |               |
| 5       | 1064    | 1072   |               |
| 0       | 1072    | 1072   |               |

**GLO-ORT82H32PLTCS5**

Report number: 25376  
 Lamp: CFT32W  
 Fixture Efficiency: 70.3%  
 S/MH Ratio: 1.2, 1.3  
 Total Lumens: 4800  
 IES file: F25374.IES  
 Beam Angle: 108.43

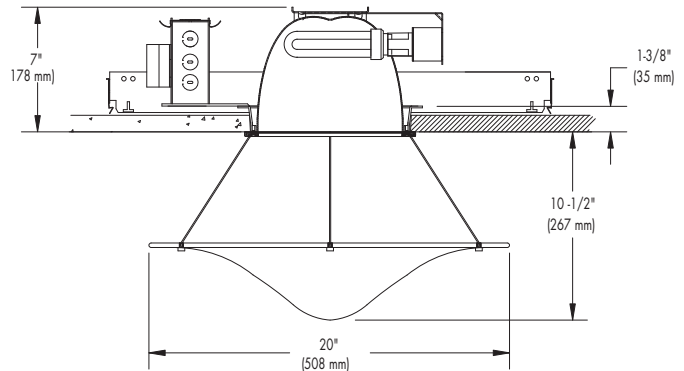
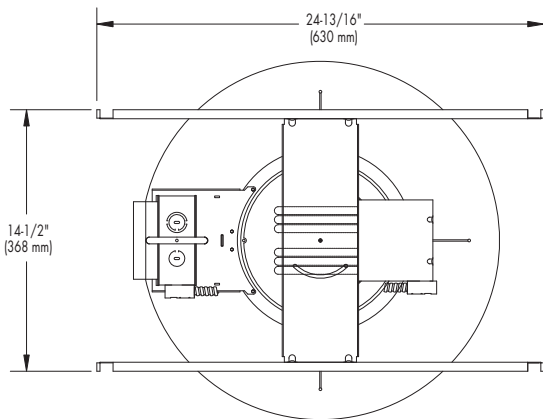


| DEGREES | CANDELA |        | FOOT-LAMBERTS |
|---------|---------|--------|---------------|
|         | AT 0°   | AT 90° |               |
| 90      | 63      | 71     |               |
| 85      | 90      | 97     |               |
| 75      | 172     | 191    |               |
| 65      | 305     | 345    |               |
| 55      | 533     | 735    |               |
| 45      | 729     | 851    |               |
| 35      | 965     | 1117   |               |
| 25      | 1128    | 1253   |               |
| 15      | 1203    | 1270   |               |
| 5       | 1224    | 1243   |               |
| 0       | 1237    | 1237   |               |

**GLO-ORT82H32PLTCS**

Report number: 25380  
 Lamp: CFT32W  
 Fixture Efficiency: 79.2%  
 S/MH: 1.2, 1.4  
 Total Lumens: 4800  
 IES file: F25380.IES  
 Beam Angle: 109.73

**dimensions**



**OMEGA**  
 LIGHTING

OTI-1

776 SOUTH GREEN ST., TUPELO, MS 38804 · PHONE 662.842.7212 · FAX 662.841.5501 · [WWW.OMEGALIGHTING.COM](http://WWW.OMEGALIGHTING.COM)  
 CANADIAN DIVISION: 189 BULLOCK DRIVE, MARKHAM, ONTARIO, CANADA L3P 1W4 · PHONE 905.294.9570 · FAX 800.268.0003  
[WWW.ORIGINSLIGHTING.COM](http://WWW.ORIGINSLIGHTING.COM) 8/08