



OPAQUE

212pendant

CERAMIC METAL HALIDE - ALUMINUM SHROUD

212 Application Concept....General lighting that offers a unique solution that reduces glare without compromising visual comfort. Intended for use in hospitality, corporate and retail environments that require more than the usual aesthetics and performance.

Finish
Metalized finishes or painted.

Material
Housing is die cast aluminum, with precision formed optic.

Mounting
Surface - Accommodates standard 3.5" or 4" octagonal junction box

UL Listed damp location. IBEW union made.



collection	lamp BY OTHERS	finish	shroud	suspension	options	voltage options
OR212	39T6CMH 70T6CMH 150T6CMH	GR graphite PW pewter TI titanium CO copper BR bronze BK black paint WH white paint AL aluminum paint	ALUM aluminum construction	A1 120' aircraft cables with cord S2 17" stem with swivel canopy	CL clear lens PL pattern 73 prismatic lens	U 120-277V F1 fuse 120 F2 fuse 277

Omega Lighting 5 Year Limited
Warranty
U.L. and C.U.L. listed damp
location.

IBEW union made.

Footnotes:
1. Black cord standard, except on
white painted finish.
2. Add length following option for
longer stems, example :S36.



CAT NO: _____
TYPE: _____
PROJECT: _____

ORI-12
7/09

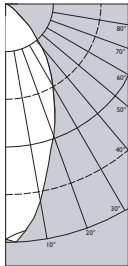
212pendant

CERAMIC METAL HALIDE



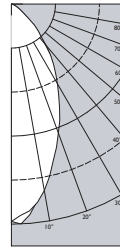
photometric data — 0° (parallel)
- - - 90° (normal)

Additional photometric test files are available at www.originslighting.com



DEGREES	CANDELA		FOOT- LAMBERTS
	AT 0°	AT 90°	
90	1	2	
85	5	5	330
75	28	25	590
65	105	103	1417
55	284	292	2892
45	896	862	7160
35	1781	1786	
25	2745	2766	
15	3929	3861	
5	5391	5400	
0	5574	5574	

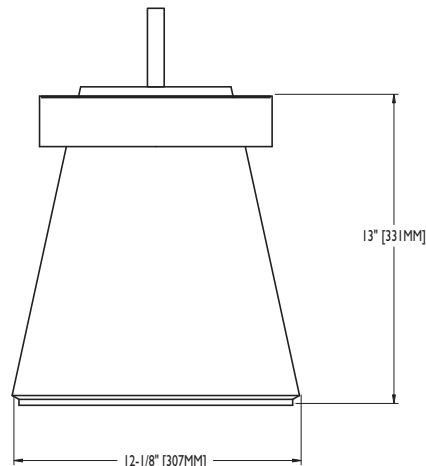
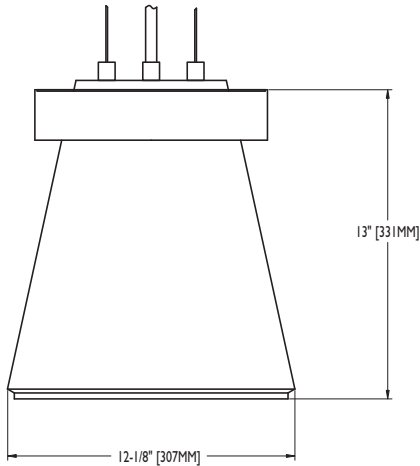
OR21270T6CMH-ALUM
 Report number: 28084
 Lamp: (1)70WMMH
 Fixture Efficiency: 69.1%
 S/MH Ratio (0 degree plane): 0.7
 (90 degree plane): 0.7
 Total Fixture Lumens: 5042
 IES file: 28084.IES
 Beam Angle: 49.47



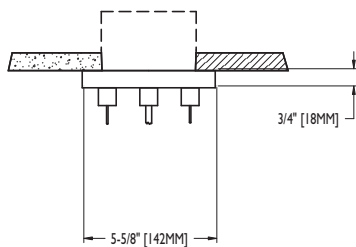
DEGREES LAMBERTS	CANDELA		FOOT- LAMBERTS
	AT 0°	AT 90°	
90	2	2	
85	7	7	463
75	58	59	1302
65	212	213	2896
55	554	560	5594
45	1606	1648	13253
35	3130	3195	
25	4860	4958	
15	6903	7048	
5	9205	9043	
0	9466	9466	

OR212150T6CMH-ALUM
 Report number: 28092
 Lamp: (1)150WMMH
 Fixture Efficiency: 71.5%
 S/MH Ratio (0 degree plane): 0.7
 (90 degree plane): 0.8
 Total Fixture Lumens: 9075
 IES file: 28092.IES
 Beam Angle: 51.73

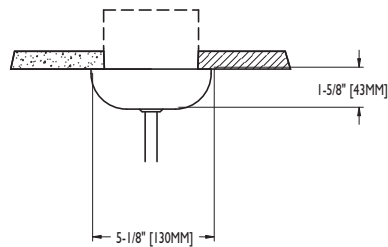
dimensions



suspension mount



canopy mount dimensions



OMEGA
LIGHTING



ORI-12

776 SOUTH GREEN ST., TUPELO, MS 38804 · PHONE 662.842.7212 · FAX 662.841.5501 · WWW.CAPRIOMEGALIGHTING.COM
 CANADIAN DIVISION: 189 BULLOCK DRIVE, MARKHAM, ONTARIO, CANADA L3P 1W4 · PHONE 905.294.9570 · FAX 800.268.0003
WWW.ORIGINSLIGHTING.COM 7/09